



GTM CARISA

standard

GTM[®] MOBIL
TECHNOLOGY

GTM CARISA is a wheelchair designed with the anatomy and needs of women in mind.

This chair is well-fitted, light, and made of thin aluminium tubes, giving it a sleek, elegant look.

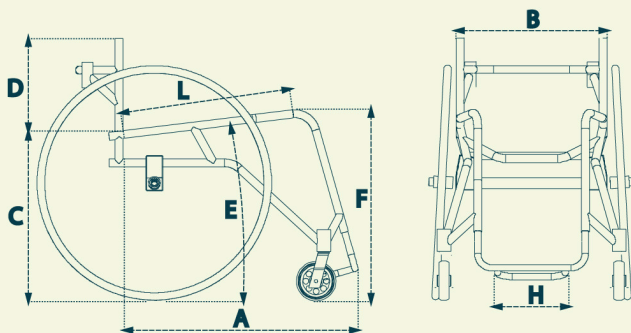
The chair's dimensions (seat width, backrest height, footrest and wheel type) are custom tailored to the user's specifications.

WOMEN

LIGHT AND ELEGANT



WHEELCHAIR MEASUREMENTS



E	C
7°	43

A	55	60
F	48,5	49,1
L	40	45

B	30	32	34	36	38	40	42	44	46
H	16,5	18,5	20,5	22,5	24,5	26,5	28,5	30,5	32,5

TECHNICAL SPECIFICATIONS

- FRAME – high-quality aluminium alloy
- BACKREST – rigid or lock-down
- FOOTREST – gradually adjustable height
- REAR WHEELS – size: 22", 24", 26", camber: 0°, 2°, 3°, 5°
- PUSHRIMS – aluminium
- CASTOR WHEELS – size: 4", plastic
- SIDE GUARDS – plastic: straight or with mudguard; detachable or collapsible with armrest
- FRAME COLOUR – black, silver, graphite, navy blue, cherry, green
- UPHOLSTERY – breathable fabric, adjustable upholstery tension in backrest and seat, black

FEATURES

- FRAME – polished; rigid seat
- BACKREST – anatomically shaped, ergonomic
- SEAT STRUCTURE – plastic, carbon-fibre
- REAR WHEELS – carbon-fibre spokes
- PUSHRIMS – stainless steel, titanium; rubber-coated
- SIDE GUARDS – carbon-fibre
- PUSH HANDLES – screw-on, integrated with frame
- ANTI-TIPPER, WHEEL LOCK, ARMRESTS
- UPHOLSTERY – alcantara, nappa leather; upholstered frame
- SPOKE-GUARDS – clear, with GTM logo